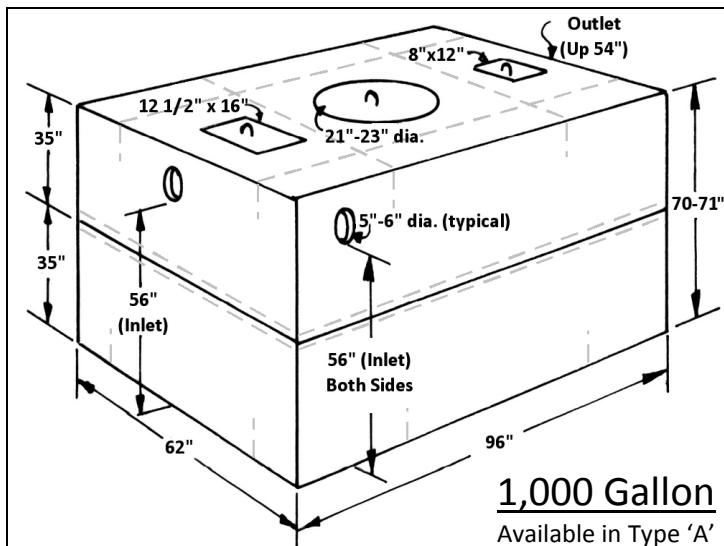




Concrete Septic Tanks



1,000 Gallon

Available in Type 'A'
Approx. 8,800 lbs.

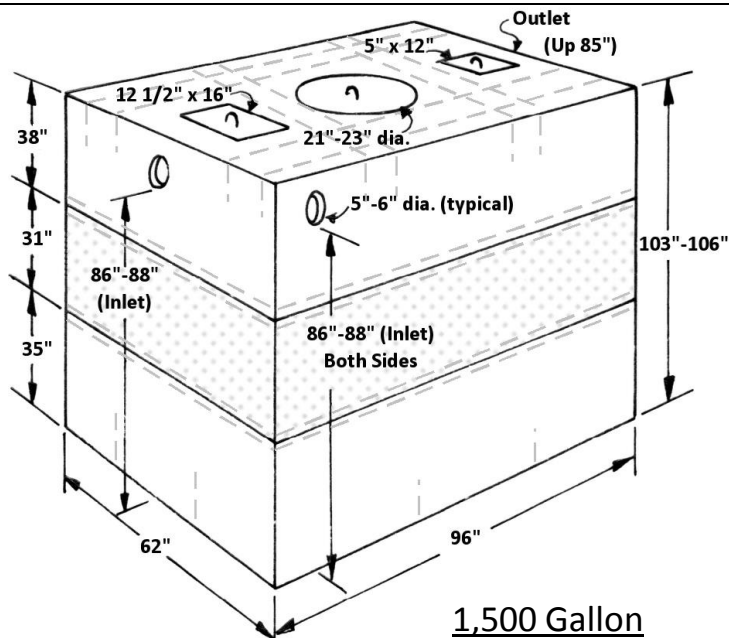
1,000 Gallon tanks are also available in Heavy Duty with Extra-Reinforced Top. Allow extra 3" height to top thickness.

Distributed by:

Manufactured by:

ARNAN DEVELOPMENT CORPORATION
d/b/a **ONEONTA BLOCK COMPANY**
6459 State Highway 23, Oneonta, NY 13820
607-432-6641 • Fax 607-433-6284
www.oneontablock.com

DRAWINGS ON THIS PAGE ARE NOT TO SCALE



1,500 Gallon

HEAVY DUTY EXTRA REINFORCED

Available in Type 'C' Only
Approximately 13,500 lbs.

***NOTES:**

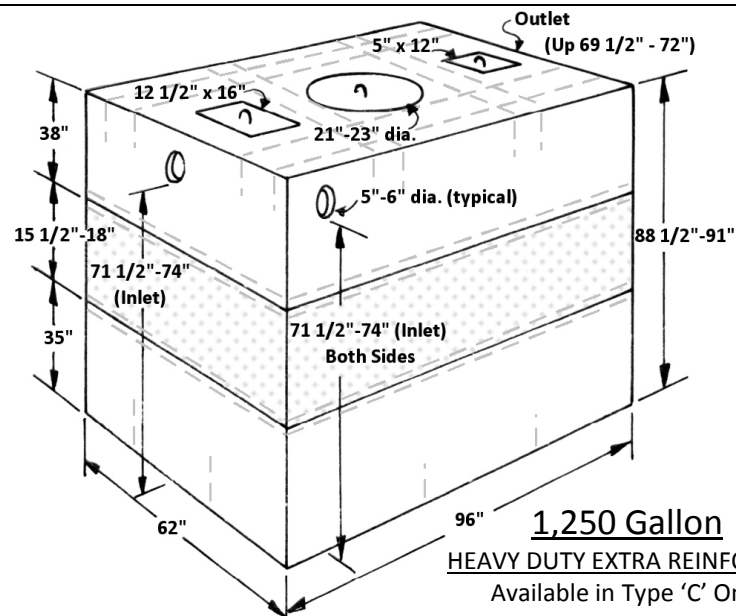
Heights may vary slightly

All tanks are manufactured with 4000 psi, 6 Bag Mix Concrete with .45 water / cement ratio and Mid Range Water Reducer

Outer walls are 3" thick and reinforced with 3/8" Rebar, placement indicated with



250 Gallon & 500 Gallon Intermediate Sections are reinforced on all 4 sides with wire mesh.



1,250 Gallon

HEAVY DUTY EXTRA REINFORCED

Available in Type 'C' Only
Approximately 12,000 lbs.



Concave

Type 'A'



Tongue

Type 'C'