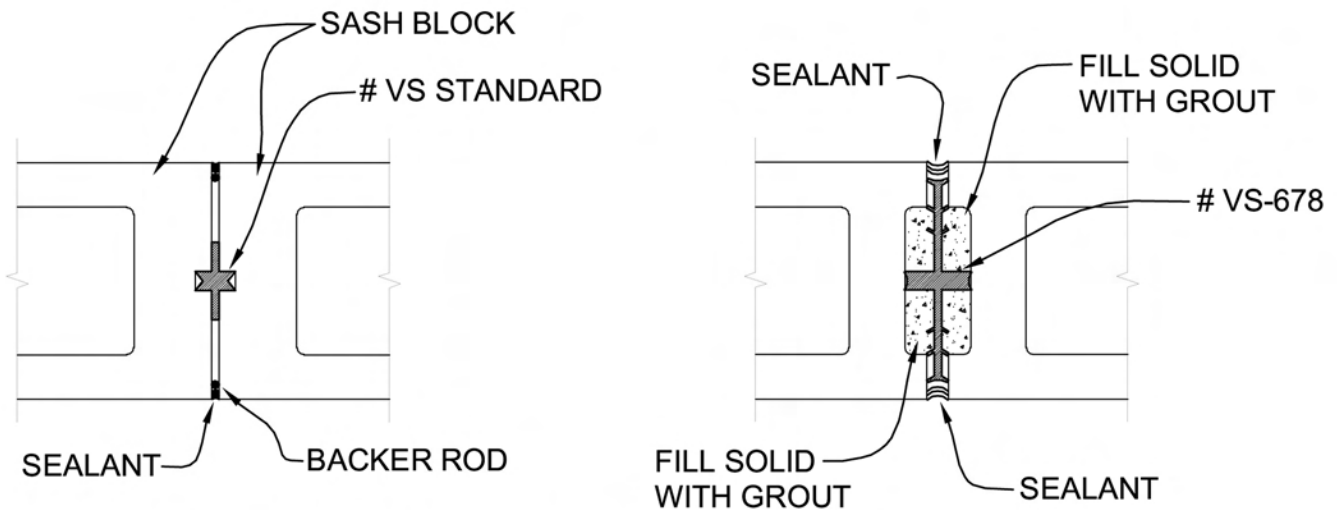
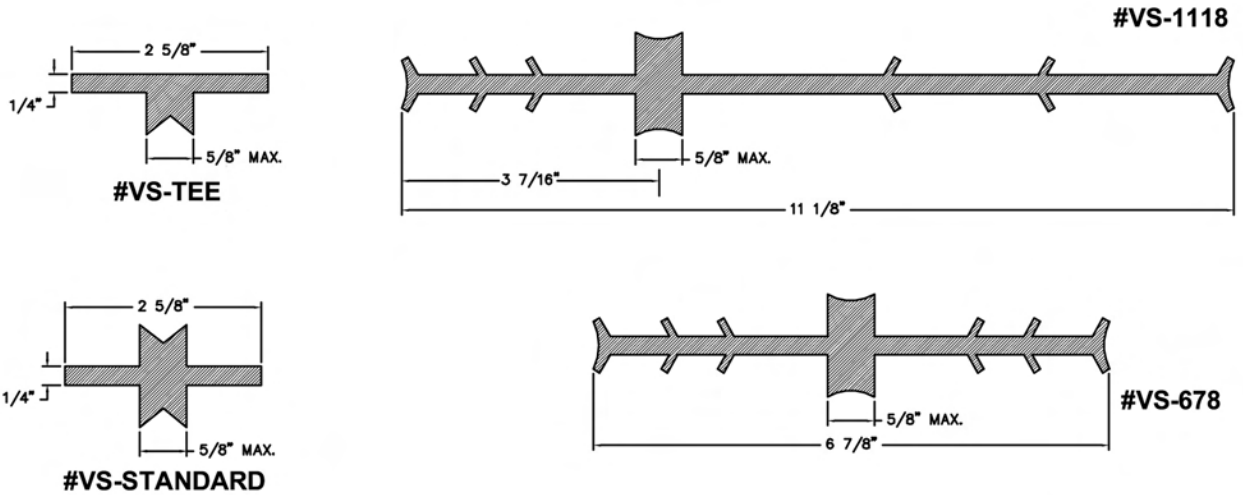


#VS Series - PVC Control Joint



DRAWINGS FOR ILLUSTRATIVE PURPOSES ONLY

FEATURES:

- The VS Series is a complete line of polyvinyl chloride control joints suitable for various wall conditions. The PVC material conforms to ASTM D-2287 (Type PVC 654-4) with a durometer hardness of 85 (+ or - 5) when tested in conformance with ASTM D-2240
- Length per piece is 4 ft.

#VS Series:

- #VS-STANDARD
- #VS-TEE
- #VS-678
- #VS-1118