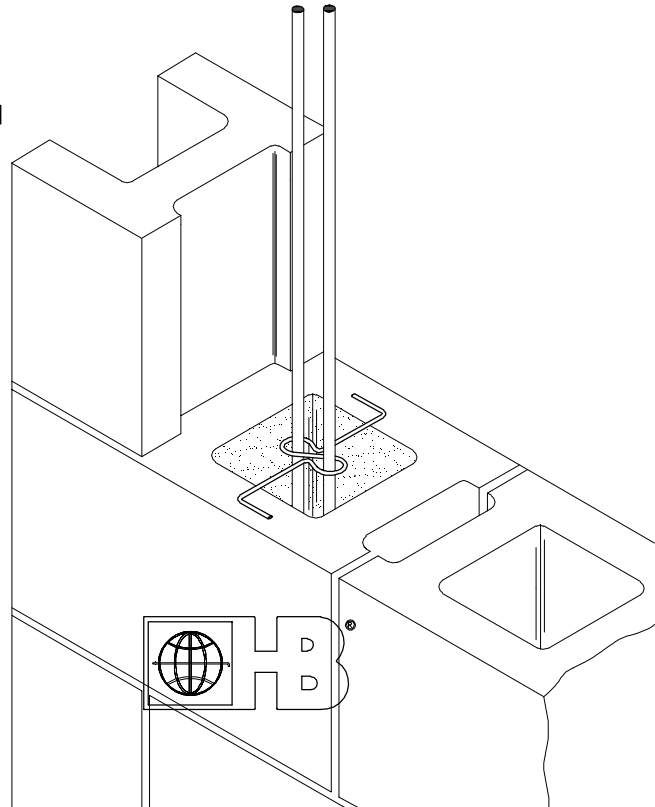
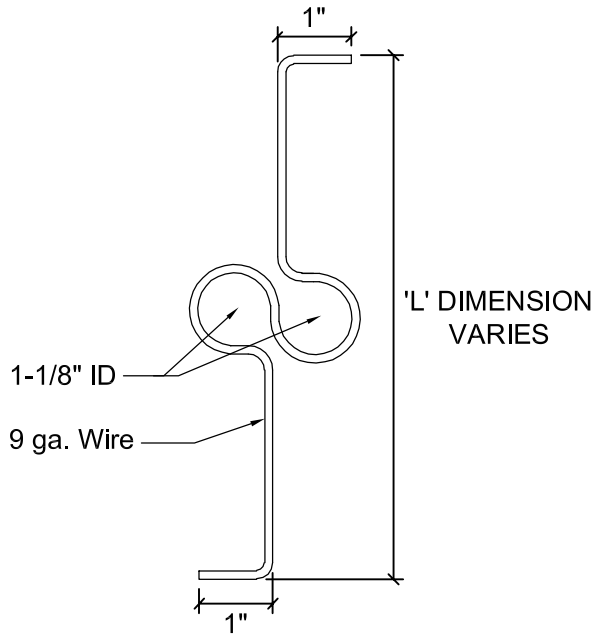


#RB - Rebar Positioners



DRAWINGS FOR ILLUSTRATIVE PURPOSES ONLY

WIRE: (Carbon Steel):

Cold-drawn steel wire conforming to ASTM A 82:
Tensile strength - 80,000 p.s.i.
Yield Point - 70,000 p.s.i. minimum

WIRE DIAMETER:

9 gauge (.148" or W1.7)

FINISHES:

- Mill galvanized coating: ASTM A 641 (0.1 oz/ft)
 - Hot-dip galvanized after fabrication: ASTM A 153 (1.5 oz/ft)
 - Stainless Steel: ASTM A 580 - AISI Type 304 (Type 316 available on special order)
- Note: H&B recommends Stainless Steel for maximum protection against corrosion.

PRODUCT# (SIZE):

- RB-6 (L=4" FOR 6" BLOCK)
- RB-8 (L=6" FOR 8" BLOCK)
- RB-10 (L=8" FOR 10" BLOCK)
- RB-12 (L=10" FOR 12" BLOCK)