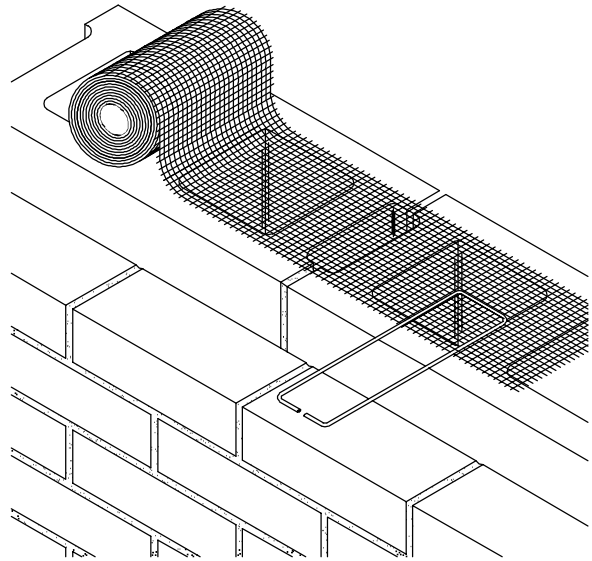
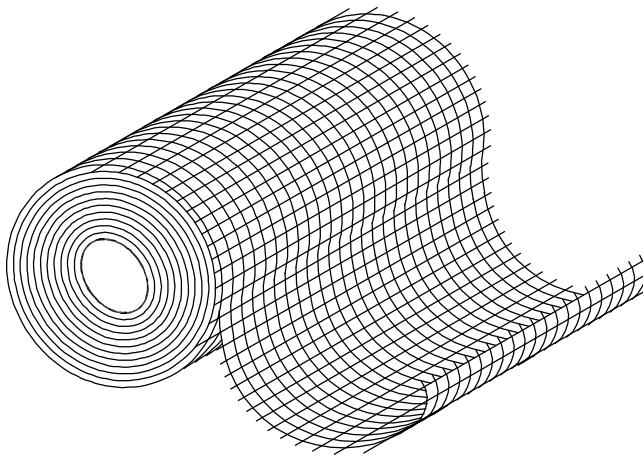


#MGS - Mortar/Grout Screen



DRAWINGS FOR ILLUSTRATIVE PURPOSES ONLY

FEATURES:

- Isolates flow of grout in designated areas requiring reinforced concrete block.
- Allows for greater bonding of masonry anchor in hollow block construction.
- 1/4" square monofilament screen is fabricated from high strength, non-corrosive polypropylene polymers.
- Micro-thin material has high tensile and burst strength, yet will not interfere with mortar bond.

SIZE:

- 4" WIDE (FOR 6" BLOCK)
- 6" WIDE (FOR 8" BLOCK)
- 8" WIDE (FOR 10" BLOCK)
- 10" WIDE (FOR 12" BLOCK)

NOTE:

- Length per roll is 100 ft.



Hohmann & Barnard, Inc.
30 Rasons Court
Hauppauge, New York 11788
TEL: (800) 645-0616 FAX: (631) 234-0683

WEBSITE: www.h-b.com
E-MAIL: weanchor@h-b.com

© HOHMANN & BARNARD, INC. - 1999