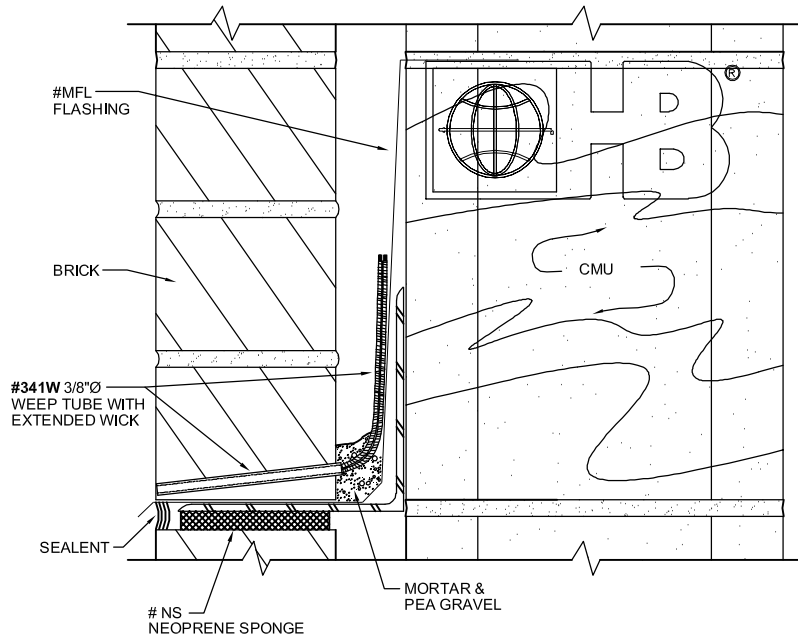
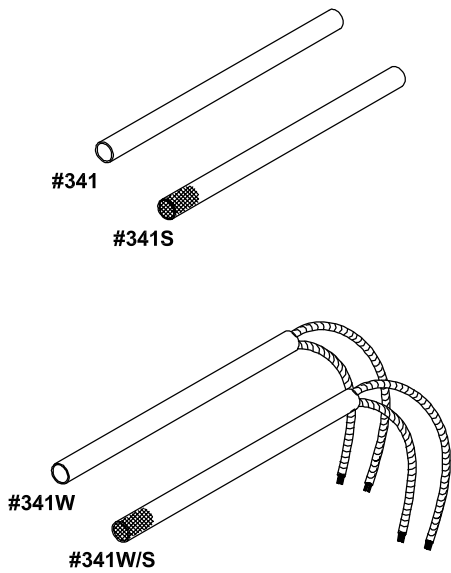


#341 Series Round Plastic Weep Holes



DRAWINGS FOR ILLUSTRATIVE PURPOSES ONLY

MATERIAL:

■ Manufactured from Medium Density Polyethylene (white). Tested in conformance with ASTM D 2244, D 638 and D 746.

#341:

- 1/4" O.D. x 4" long
- 3/8" O.D. x 4" long

#341W:

- 3/8" O.D. x 4" long (Provided with cotton wick attached)

#341S:

- 3/8" O.D. x 4" long (Provided with screen insert)
- Brass screen Stainless Steel screen

#341W/S:

- 3/8" O.D. x 4" long (Provided with both wick and screen insert)
- Brass screen Stainless Steel screen