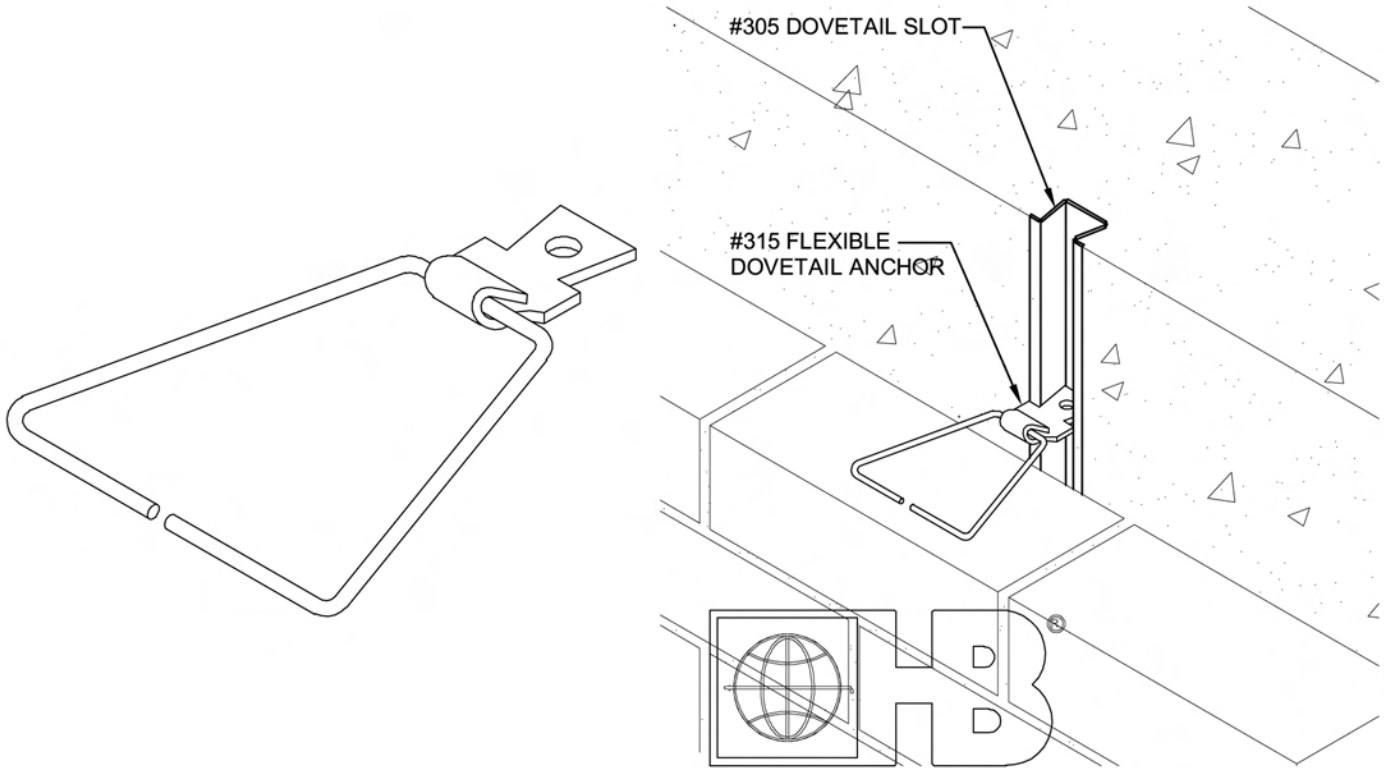


#315 Flexible Dovetail Tie



DRAWINGS FOR ILLUSTRATIVE PURPOSES ONLY

WIRE (Carbon Steel):
Cold-drawn steel wire conforming to ASTM A 82:
Tensile strength - 80,000 p.s.i.
Yield Point - 70,000 p.s.i. minimum
Zinc Coating:
Hot-dip galvanized after fabrication: ASTM A 153 (1.5 oz/ft)
Note: Hohmann & Barnard will certify to a minimum of 2.0 oz/ff

WIRE (Stainless Steel):
ASTM A 580 - AISI Type 304. (Type 316 available on special order.)

SHEET METAL (Carbon Steel):
ASTM A 366
Zinc Coating:
ASTM A 153 Class B (sheet metal ties and anchors hot-dip galvanized after fabrication).
Note: Hohmann & Barnard will certify to a minimum of 2.0 oz/ff

SHEET METAL (Stainless Steel):
ASTM A 167 - AISI Type 304 Stainless Steel (sheet metal ties and anchors) (Type 316 available on special order).
Note: H&B recommends Stainless Steel for maximum protection against corrosion.

DOVETAIL HEAD:
 14 Gauge Standard
 12 Gauge Heavyweight

VEE WALL TIE DIAMETER:
 3/16"Ø Standard
 1/4"Ø Heavyweight

VEE WALL TIE LENGTH:
 3" 3 1/2" 4" 4 1/2" 5"
 OTHER LENGTH _____

FINISH:
 Hot Dip Galvanized
 Stainless Steel