



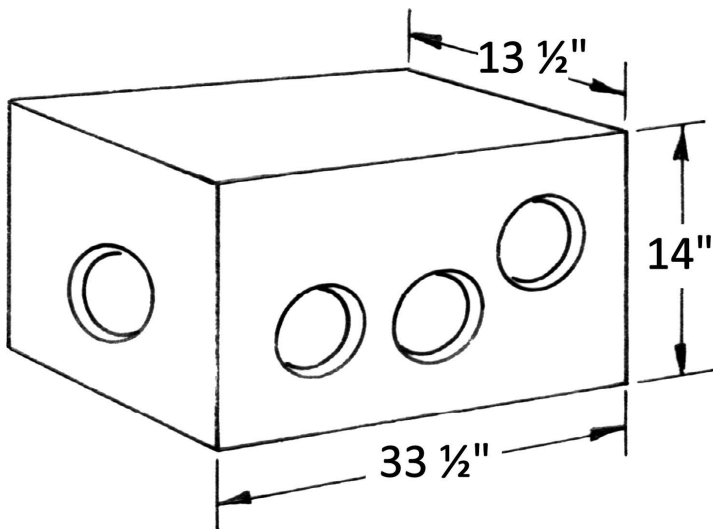
### Concrete Distribution Boxes

Distributed by:

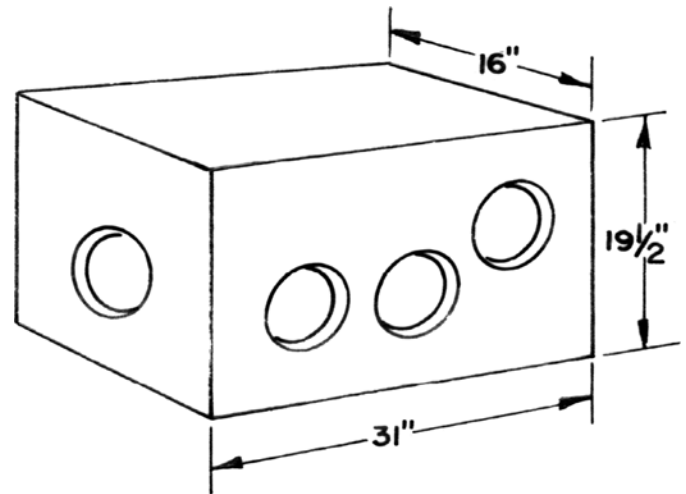
Manufactured by:

ARNAN DEVELOPMENT CORPORATION  
d/b/a **ONEONTA BLOCK COMPANY**  
6459 State Highway 23, Oneonta, NY 13820  
607-432-6641 • Fax 607-433-6284  
[www.oneontablock.com](http://www.oneontablock.com)

DRAWINGS ON THIS PAGE ARE NOT TO SCALE



**Small Distribution Box**  
2" Thick Cover and Walls  
Baffle Inlet End  
1 Inlet Hole  
7 Outlet Holes



**Large Distribution Box**  
2" Thick Cover and Walls  
Baffle Inlet End  
3 Inlet Holes  
5 Outlet Holes

NOTE: THIS DRAWING SHALL NOT BE DUPLICATED, USED, OR DISCLOSED TO OTHERS, IN WHOLE OR IN PART, FOR PROCUREMENT, MANUFACTURING, OR ANY OTHER PURPOSE EXCEPT AS AUTHORIZED BY EXPRESS WRITTEN CONSENT OF ARNAN DEVELOPMENT CORPORATION d/b/a ONEONTA BLOCK COMPANY