



Technical Data Sheet

UPDATE: April 12, 2013
Make sure you have an updated data sheet on hand.
Canada and U.S. dial **1-866-212-1611** or (450) 624-1611

DESCRIPTION: **GATOR EDGE RIGID & FLEX** are made with 100% Polypropylene Co-Polymer. This will give it great strength as well as provide great flexibility. We have a **RIGID** model which is ideal for straight applications and the **FLEX** model that can be used for all curved applications such as walkways, paths, entrances etc... Both the **RIGID** and **FLEX** can be locked together with the "Twist & Lock" system. Finally the **RIGID** could be transform in a partial **FLEX** by cutting the bridge support between each triangular angles.

FEATURES:

- The **Flex** can connect to the **Rigid**.
- Use a "Twist & Lock" connection system.
- Will not corrode.
- Easy-to-use.
- Available in flexible or rigid edges.
- Xtra versatile.
- Xtra robust system.
- Xtra support strength.
- UV resistant.
- Come in 8-ft lengths.
- Use with Gator Nails.
- UV resistant

FOR USE ON: **GATOR EDGE** is an excellent choice to help define alleys, driveways or sidewalks. **GATOR EDGE** is designed for straight or curved installation. It is especially easy to use and quick to install.

INSTALLATION INSTRUCTIONS:

1. It can be installed either before or after the paver installation.
2. Use one 10" nail every foot or 3rd hole for great support strength. Make sure borders are installed on a compacted structural aggregate base.
3. Use the "Twist & Lock" feature to secure the edging lengths together.
4. Nail at every "Twist & Lock" junction, this will ensure continuous lateral support.

NOTE: Both **Rigid** and **Flex** units can be joined together.

PACKAGING: **Product**

Gator Edge Flex 1 piece = 8 linear feet
 1 Mini-pack = 6 pieces = 48 linear feet
 1 Master-pack = 4 Mini-packs = 192 linear feet
 1 pallet = 28 Master-packs = 5,376 linear feet

Gator Edge Rigid 1 piece = 8 linear feet
 1 Mini-pack = 6 pieces = 48 linear feet
 1 Master-pack = 4 Mini-packs = 192 linear feet
 1 pallet = 28 Master-packs = 5,376 linear feet

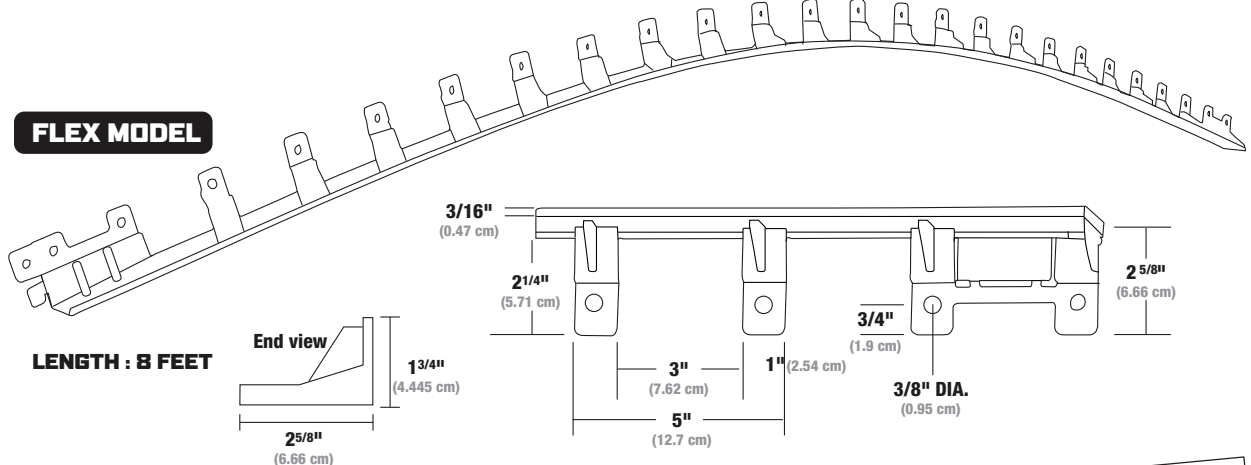
Alliance Designer Products Inc.



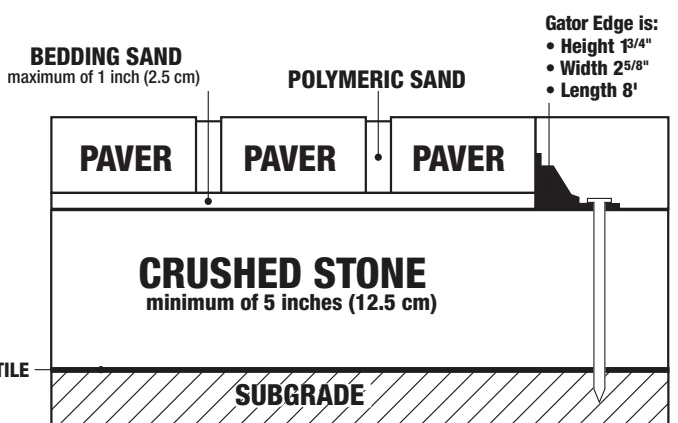
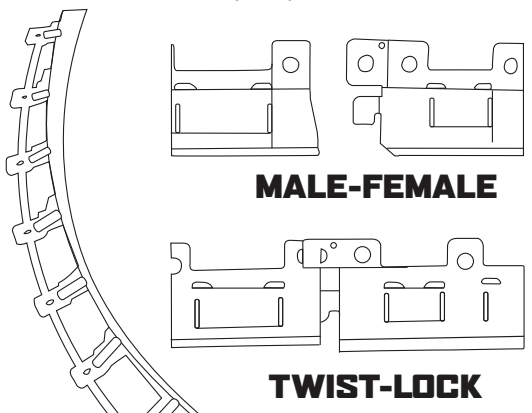
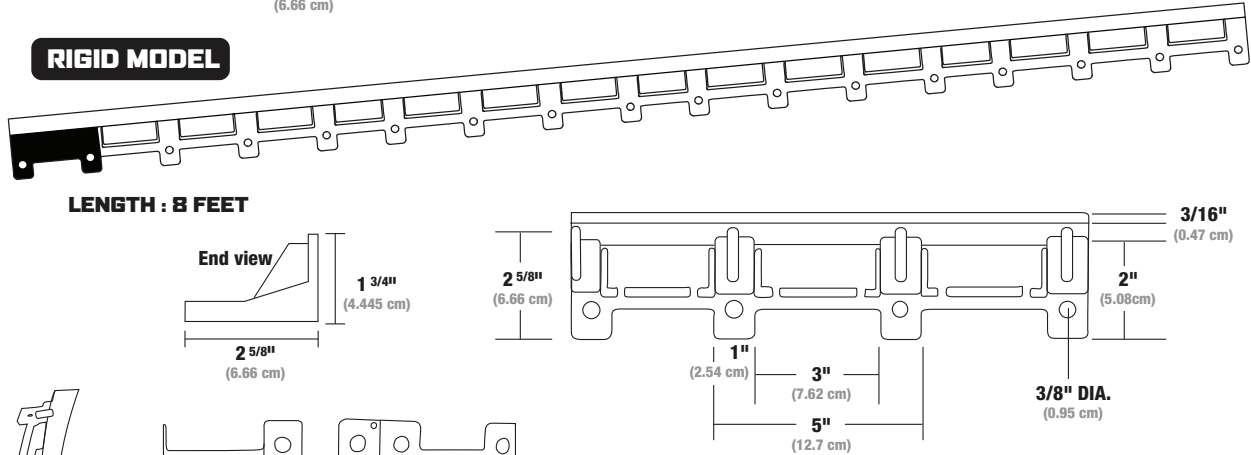
GATOR EDGE
RIGID & FLEX
TDS Revision Date (dd/mm/yyyy): 12/04/2013



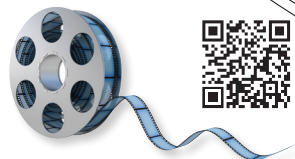
FLEX MODEL



RIGID MODEL



GATOR EDGE FLEX CAN CONNECT TO GATOR EDGE RIGID



SEE INSTALLATION VIDEO
ON ALLIANCEGATOR.COM